

Digital conductivity sensor

Model: CS3701CD

Model: CS3701CD



Power supply: 9–36 VDC

Product power consumption: $\leq 0.2W$

Signal output: RS485 MODBUS RTU

Material measured: Graphite

Shell material: PP + ABS

Water resistance rating: IP68

measuring range :

Electrical conductivity: 0–30000 $\mu S/cm$

TDS: 0-15000mg/L

Salinity: 0–18000 ppm

Measurement accuracy: $\pm 1\%$ F.S

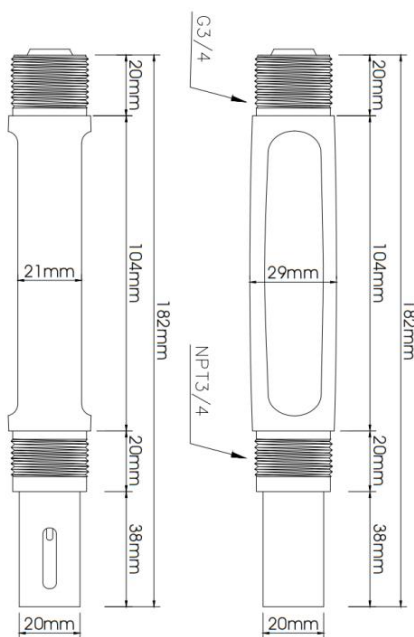
Pressure range: ≤ 0.6 MPa

Temperature Compensation: NTC10K

Temperature range: 0–60°C

Calibration: Sample calibration, standard solution calibration

Connection method: 4-core integrated cable



threads: lower NPT3/4, upper
G3/4

Scope of application: General use
for river water, lakes,
drinking water, etc.